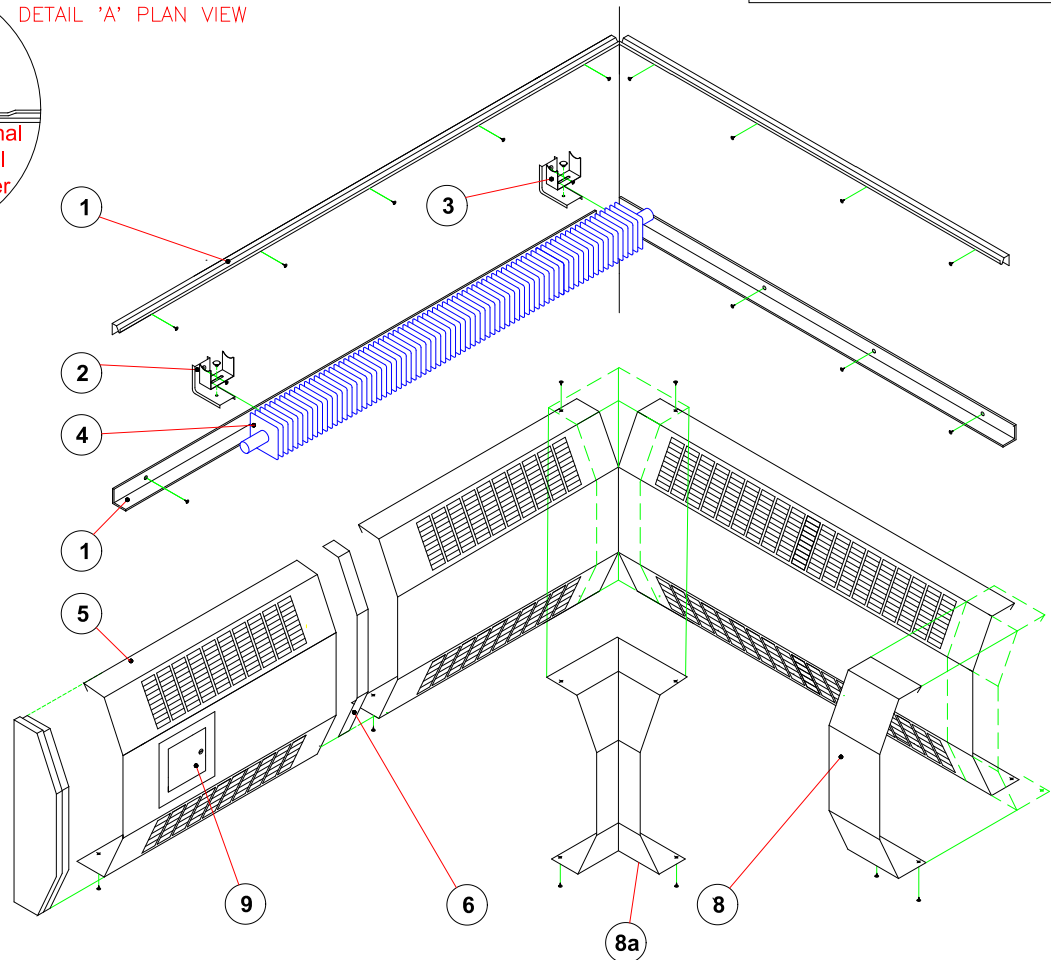
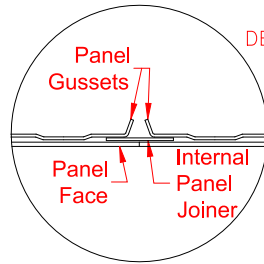
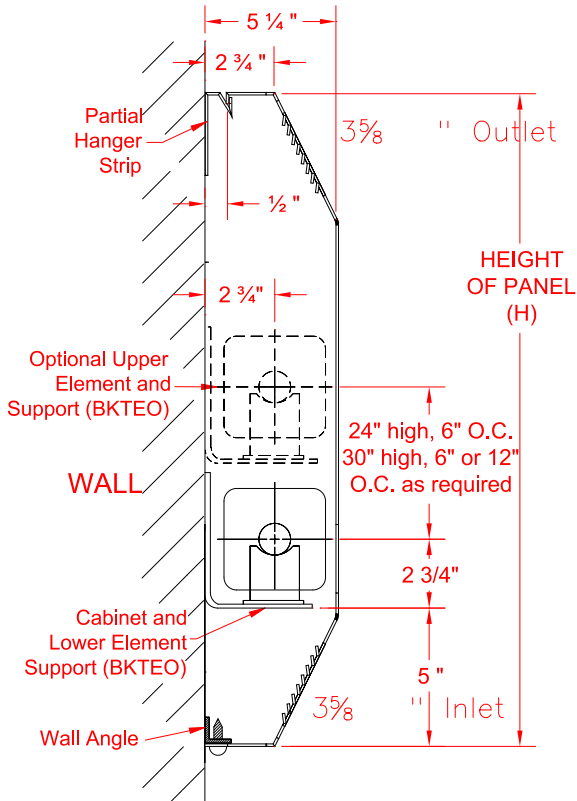


SWE-SS-ASSY-r05

14", 18", 24" and 30" high 1 Row AND 24", 30" high 2 Row

**14", 18", 24" and 30" high, 1 row
AND 24", 30" high, 2 row**



- ① Fasten hanger strip and angle to wall at required height. Ensure strip and angle is level and that they run the entire length of enclosure.
- ② Mount BKTEO brackets 5" above bottom of wall angle. For 2 tier elements, mount and fasten BKTEO brackets on 6" spacing.
- ③ Install cradles onto brackets by placing cradle on bracket and insert the plastic fastener through the slot in the cradle into the hole in the bracket.
- ④ Install heating element on to BKTEO brackets, ensure tubing rests on cradle.
- ⑤ Place top of enclosure panel on to hanger strip and fasten panel to angle by #10 screws.
- ⑥ For 2 or more side by side enclosure panels, join by an internal panel joiner. (See Detail 'A')
- ⑦ If an access panel is used, join access panel to enclosure panel by a joiner strip. (not shown)
- ⑧ Place trim strip on enclosure panel, and fasten it to enclosure panel at top and bottom by #10 screws. For corners (8a), fasten at top and bottom by #10 screws.
- ⑨ If an access door is required, (available on 18" high panels or taller), locate it on enclosure panel, cut out a 5 1/2" square opening and drill four 1/4" diameter holes on corners of 6 1/2" square. Mount and fasten access door assembly.