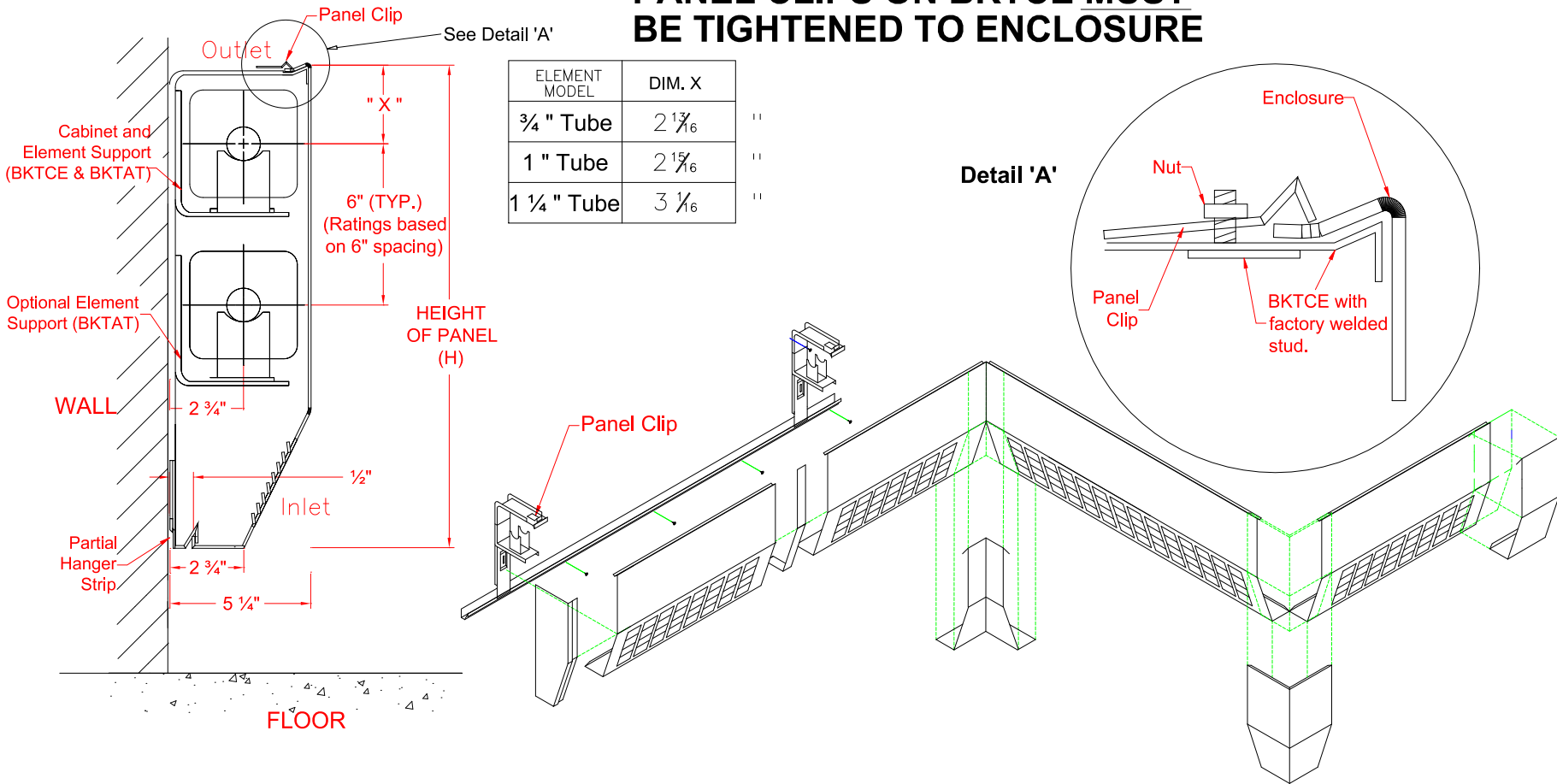


NOTE: Installation is typical for S,T,F, and X style enclosures.

PANEL CLIPS ON BKTCE MUST BE TIGHTENED TO ENCLOSURE



Due to the absence of appreciable stack effect, capacities for elements installed in inverted enclosures higher than 36" above the floor are the same as the capacities for ceiling mounted bare element.