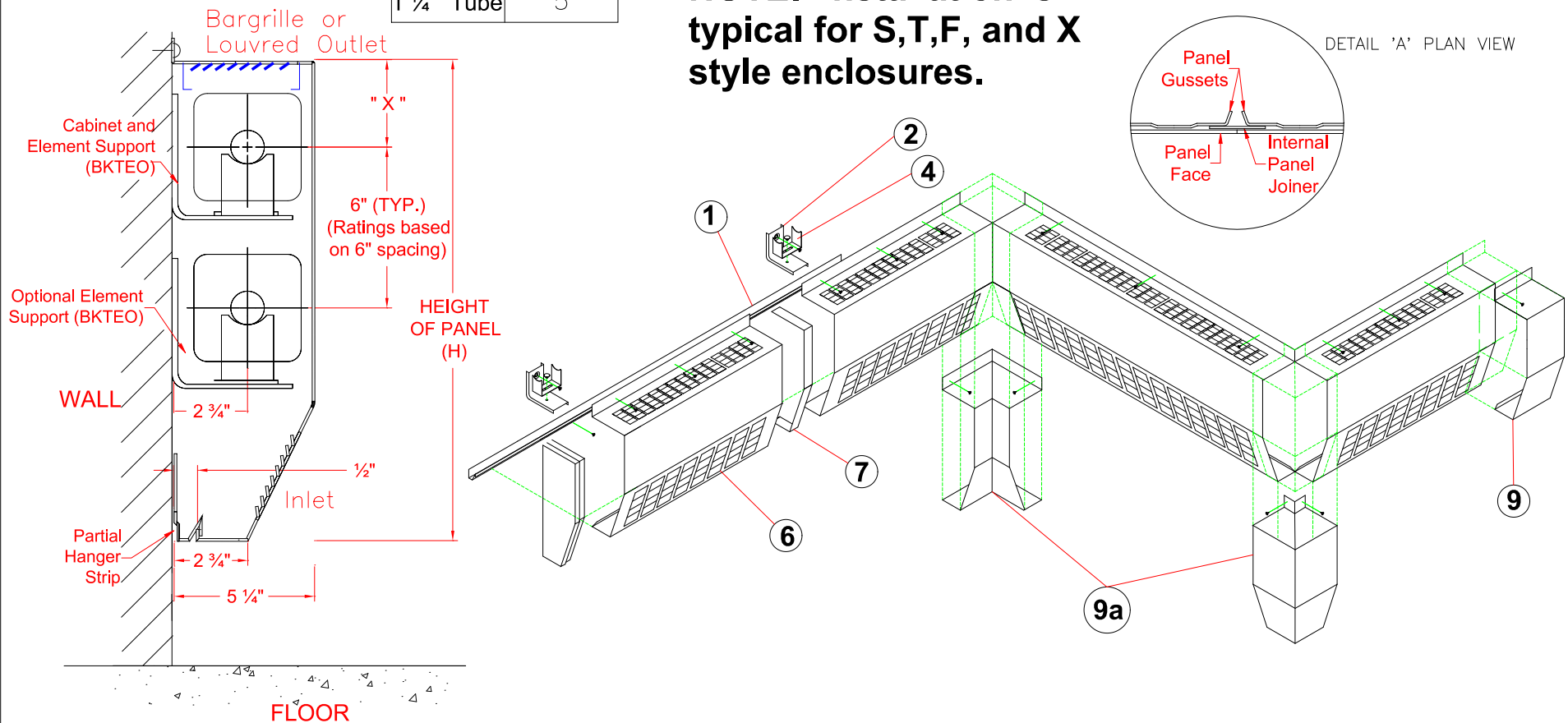


For Enclosure
12" and Taller

ELEMENT MODEL	DIM. X
3/4" Tube	4 3/4"
1" Tube	5"
1 1/4" Tube	5"

NOTE: Installation is typical for S,T,F, and X style enclosures.



- ① Fasten hanger strip upside down to wall at required height. Ensure strip is level and that the hanger strip runs the entire length of enclosure.
- ② Mount BKTEO brackets at required distance above hanger strip.
- ③ For 2 tier elements, mount and fasten BKTEO brackets at 6" spacings.
- ④ Install cradles onto brackets by placing cradle on bracket and insert the plastic fastener through the slot in the cradle into the hole in the bracket.
- ⑤ Install heating element onto BKTEO brackets, ensure tubing rests on cradle.

- ⑥ Hook enclosure panel onto hanger strip and swing panel up to wall then fasten into wall.
- ⑦ For 2 or more side by side enclosure panels, join by an internal panel joiner. (See Detail 'A')
- ⑧ If an access panel is used, join access panel to enclosure panel by a joiner strip and an additional mounting bracket. (not shown)
- ⑨ Place trim strip on bottom of enclosure panel and swing top of trim up to wall and fasten to wall. For corners (9a), fasten at top and bottom by #10 screws.