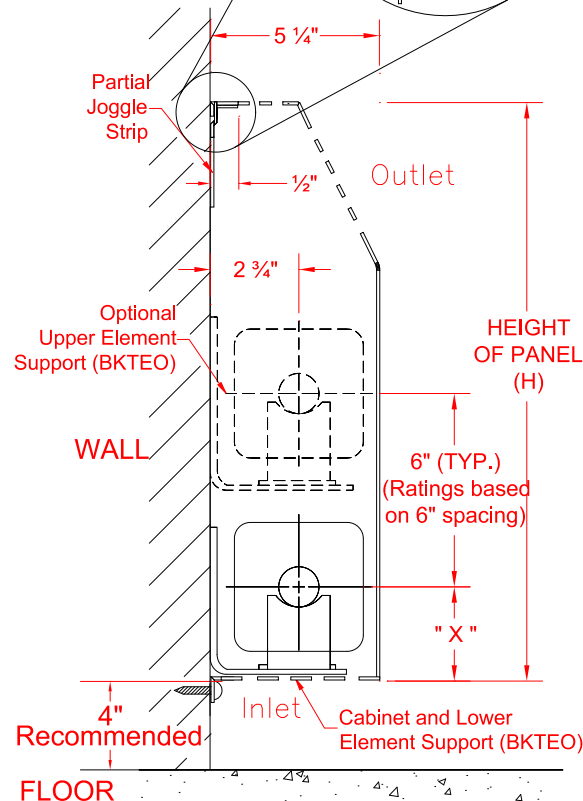
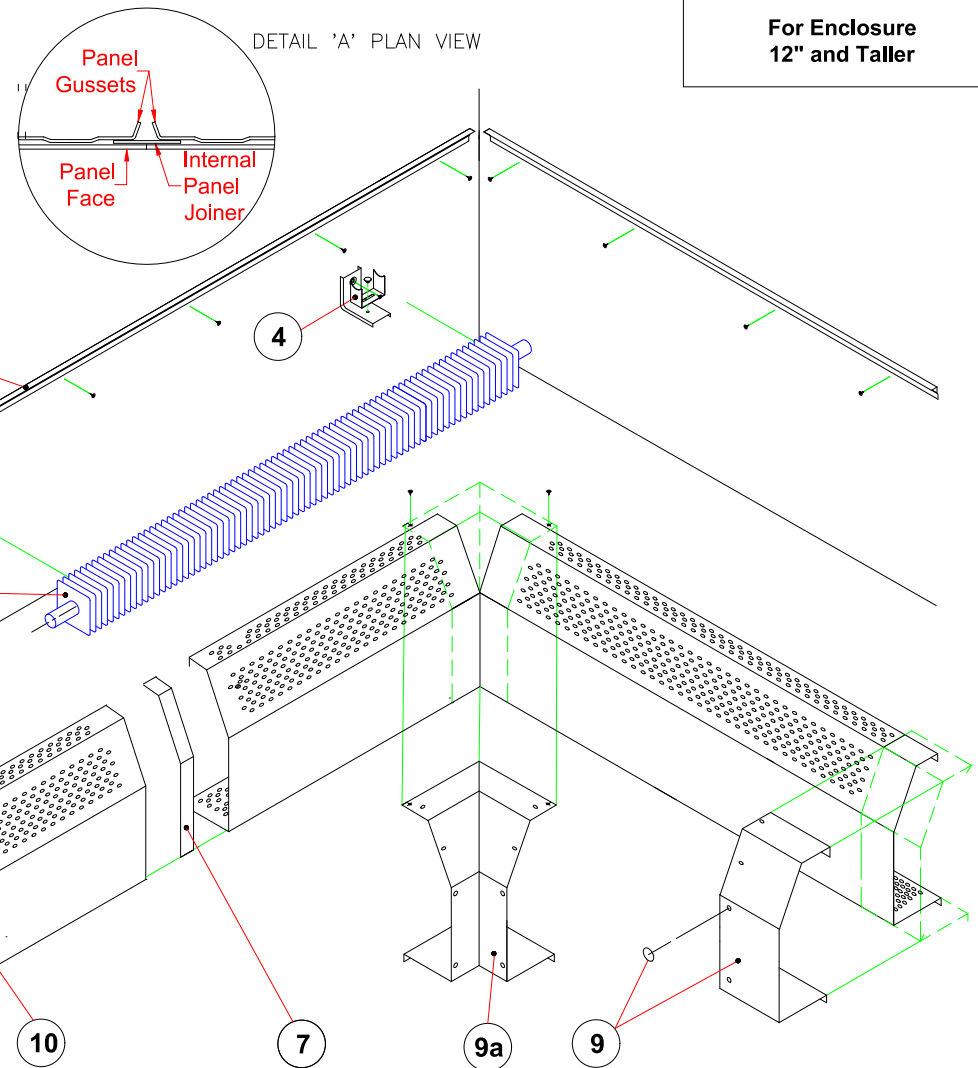


For Enclosure
12" and Taller

ELEMENT MODEL	DIM. X
3/4" Tube	3 3/4"
1" Tube	3 3/4"
1 1/4" Tube	4"



- ① Fasten hanger strip to wall at required height. Ensure strip is level and that the hanger strip runs the entire length of the enclosure.
- ② Mount BKTEO brackets at required height below hanger strip.
- ③ For 2 tier elements, mount and fasten additional brackets on 6" spacing above first BKTEO brackets.
- ④ Install cradles onto brackets by placing cradle on bracket and insert the plastic fastener through the slot in the cradle into the hole in the bracket.
- ⑤ Install heating element onto BKTEO brackets, ensure tubing rests on cradle.
- ⑥ Place top of enclosure panel on to hanger strip and screw bottom of panel on to the wall.
- ⑦ For 2 or more side by side enclosure panels, join by an internal panel joiner. (See Detail 'A')
- ⑧ If an access panel is used, join access panel to enclosure panel by a joiner strip and an additional mounting bracket. (not shown)
- ⑨ Place trim strip on top of enclosure panel and swing bottom of trim on to the wall and fasten. For corners (9a), fasten at top and bottom by #10 screws.
- ⑩ If an access door is required, locate it on enclosure panel, cut out a 5 1/2" square opening and drill four 1/4" diameter holes on corners of 6 1/2" square. Mount and fasten access door assembly.