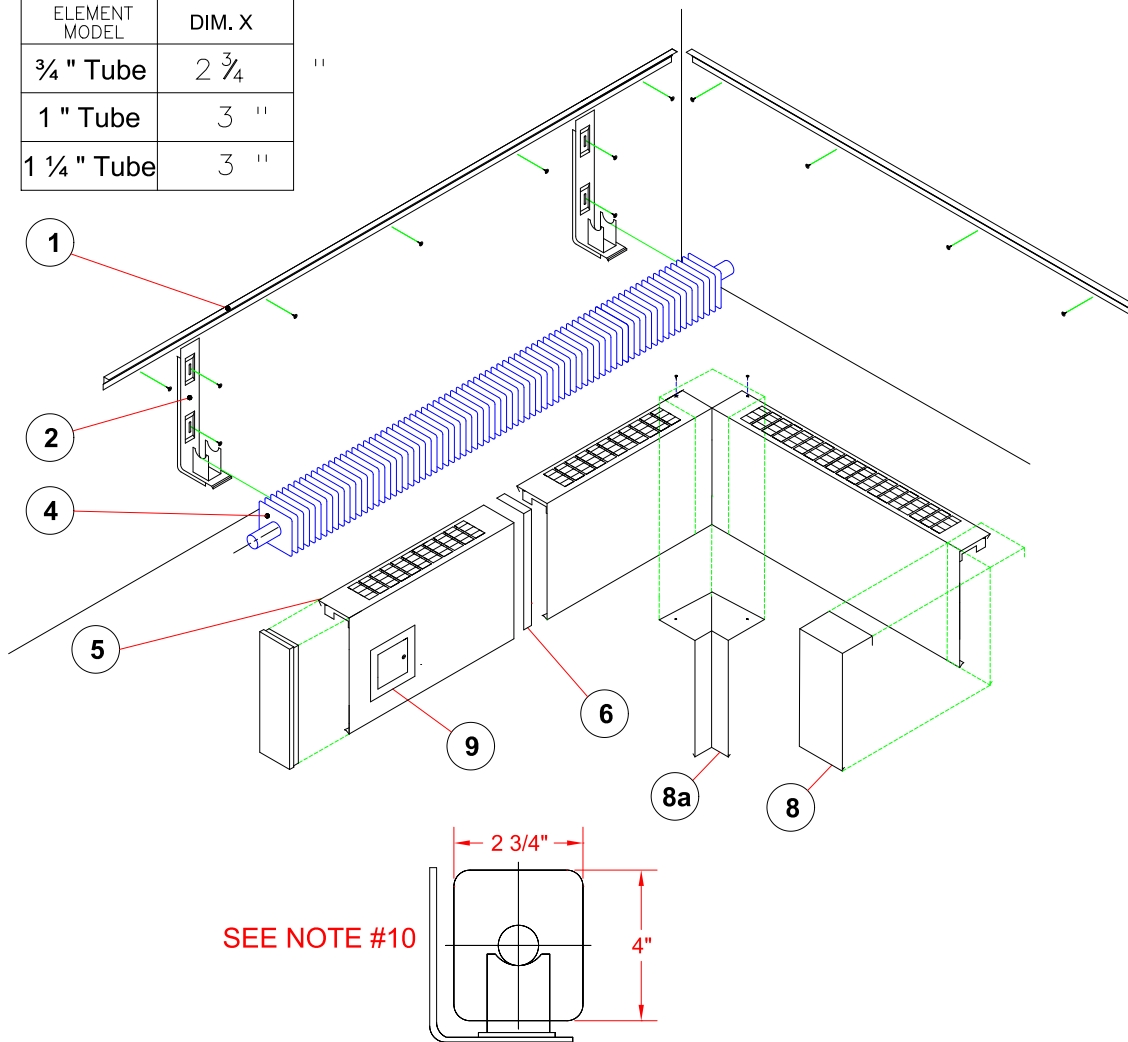


ELEMENT MODEL	DIM. X
3/4" Tube	2 3/4"
1" Tube	3"
1 1/4" Tube	3"



NOTE: Element with 4" x 4" fins CANNOT be used.

- ① Fasten hanger strip to wall at required height. Ensure strip is level.
- ② Mount BKTCE brackets flush to and under the hanger strip.
- ③ For 2 tier elements, mount and fasten BKTAT brackets on to the BKTCE brackets.
- ④ Install heating element onto BKTCE brackets (and BKTAT brackets if used). Ensure tubing rests on cradle.
- ⑤ Place top of enclosure panel on to hanger strip and snap bottom of panel on to the BKTCE bracket.
- ⑥ For 2 or more side by side enclosure panels, join by a panel joiner.
- ⑦ If an access panel is used, join access panel to enclosure panel by a joiner strip and an additional mounting bracket. (not shown)
- ⑧ Hook bottom of trim strip on bottom of enclosure panel, swing trim up and hook top of trim into hanger strip. For corners (8a), fasten at top by #10 screws.
- ⑨ If an access door is required, locate it on enclosure panel, cut out a 5 1/2" square opening and drill four 1/4" diameter holes on corners of 6 1/2" square. Mount and fasten access door assembly.
- ⑩ Correct element orientation when using 2 3/4" x 4" element for slimline enclosure.