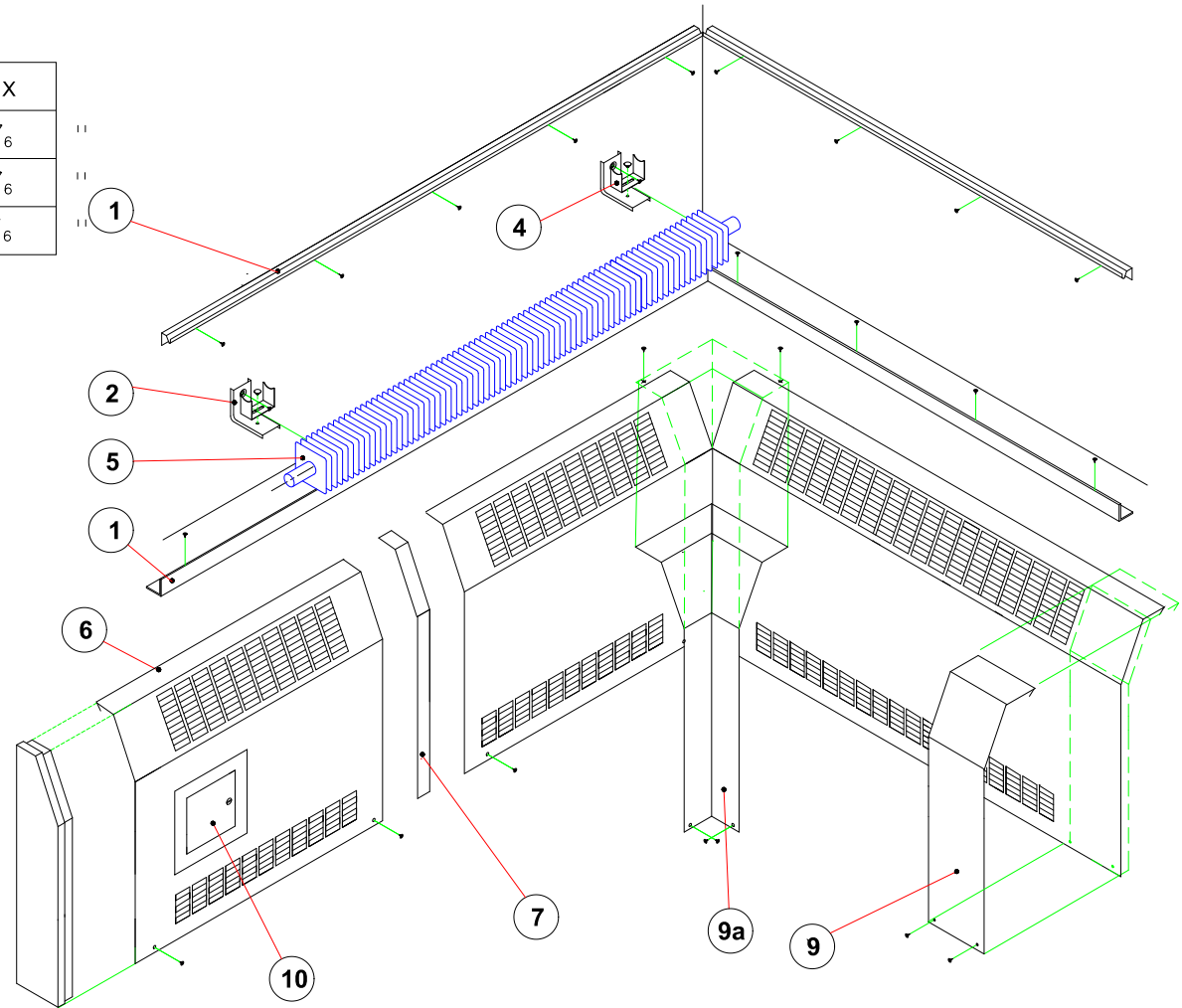
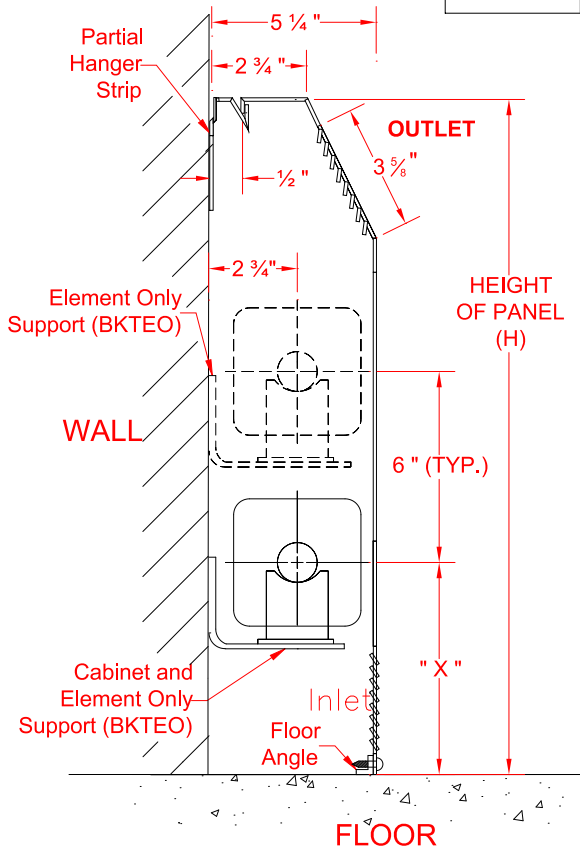


ELEMENT MODEL	DIM. X
3/4" Tube	7 1/16"
1" Tube	7 3/16"
1 1/4" Tube	7 5/16"



- ① Fasten hanger strip to wall at required height. Ensure strip is level to floor. As shown fasten 1" angle to floor 5 3/16" from wall.
- ② Mount BKTEO brackets so that element center is 6" above floor.
- ③ For 2 tier elements, mount and fasten BKTEO brackets 6" center to center.
- ④ Install cradles onto brackets by placing cradle on bracket and insert the plastic fastener through the slot in the cradle into the hole in the bracket.
- ⑤ Install heating element on to BKTEO brackets, ensure tubing rests on cradle.
- ⑥ Place top of enclosure panel on to hanger strip and fasten panel to angle by #10 screws.
- ⑦ For 2 or more side by side enclosure panels, join by a panel joiner.
- ⑧ If an access panel is used, join access panel to enclosure panel by a joiner strip. (not shown)
- ⑨ Hook trim strip into hanger strip, swing trim down and fasten it to enclosure panel by #10 screws. For corners (9a), fasten at top and bottom by #10 screws.
- ⑩ If an access door is required, locate it on enclosure panel, cut out a 5 1/2" square opening and drill four 1/4" diameter holes on corners of 6 1/2" square. Mount and fasten access door assembly.